

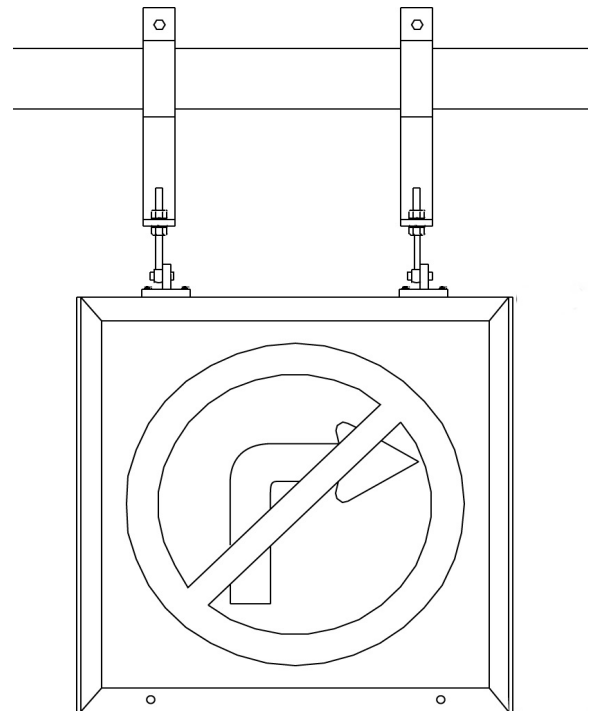


The IIRS Series provides maximum legibility in various sizes of regulatory signs.

Available as single or double faced. The IIRS Series may be mounted on most existing structures such as posts, overhead mast arms, overhead cables, etc.

Special leveling free-swinging type brackets that reduce wind loads are provide for mast arm mountings.

- *Single or Double Face*
- *Windload Dump Feature*
- *Increased Legibility*
- *Minimum Maintenance*
- *Suitable for outdoor use (optional)*
- *Daytime visibility without being illuminated*



Specifications

Main body

The IIRS is constructed from .064 extruded 6063-T5 aluminum extrusion. The body extrusion is mitered and seam welded. Standard natural aluminum finish though may also be specially ordered in a powder coat finish. Fixture supplied with screened drain holes to eliminate buildup of condensation yet provide protection from insects.

Lens Assembly

The lens is a removable frame assembly with integral hinge that mates with the sign body. The frame rail is constructed from 6063-T5 extruded aluminum. The extruded rail completely frames the .118 translucent white UV stabilized polycarbonate.

Lamp

Each sign is supplied with one, two, three, or four T8 or T12 cool white fluorescent lamps or LED Light Engine. Quantity and length of lamps is dependent on fixture size and legend requirements.

Ballast

- Need to add the fluorescent...
- LED Driver is 24v output, universal input 120/277 VAC

Mounting

The unique extrusion has a universal mounting channel for different bracket attachments. The sign can be mounted free swinging, spanwire, or rigidly mounted to a pole or mast arm.

Dimensions and Lamps

W x H (in.)	No. of Lamps
24 x 24	2
24 x 30	2
30 x 30	3
30 x 36	3
36 x 36	3
36 x 48	4
48 x 48	4

Product ID Model

IIRS

Voltage

120 Standard

Face

Single Face
Double Face

Options

Photo electric cell
Photo cell receptacle only
Reflective Film
Overlay Film

Finish and Color

Natural aluminum (Std.)
Powder coat in various colors

Mounting

Mast arm (Std.)
Span wire cable
Back brace to fit upright pole;
Direct arm mount (single face only)

Specifications subject to change any time without notice. Copyright 2018 National Signal, Inc. All rights reserved. Printed in the United States.